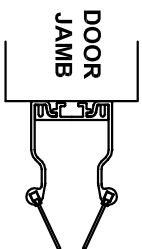
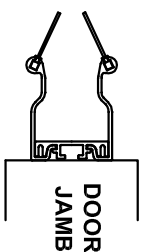


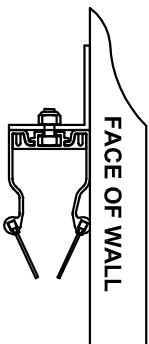
BETWEEN JAMB MOUNT (HEADER MOUNT)



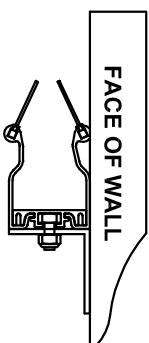
**TOP VIEW
TRACK DETAIL**



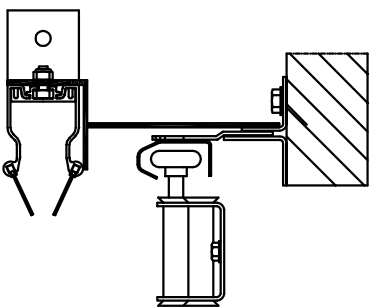
FACE OF WALL MOUNT (WALL MOUNT)



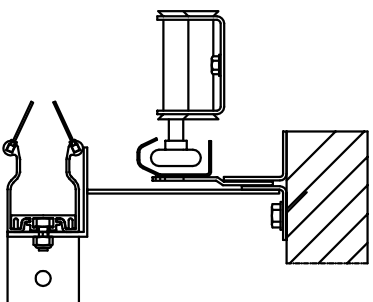
**TOP VIEW
TRACK DETAIL**



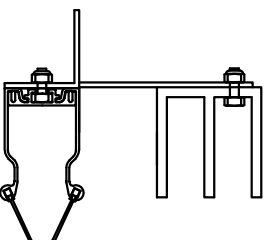
IN FRONT OF EXISTING DOOR (STAND-OFF MOUNT)



**TOP VIEW
TRACK DETAIL**



ON TOP OF EXISTING TRACK (E-TRACK MOUNT)



**TOP VIEW
TRACK DETAIL**

